

# SGB Services Limited

Harsco



SGB Services Limited

Harsco House  
Regent Park  
299 Kingston Road  
Leatherhead  
Surrey KT22 7SG  
United Kingdom

Tel: +44 (0) 1372 381300

Fax: +44 (0) 1372 381399

Web: www.sgb.co.uk

## Managing Director - Safety Alert

International Powered Access Fed. Ltd  
Bridge End Business Park  
Milnthorpe  
LA7 7RH

15 August 2005

Dear Customer,

### URGENT

### IMPORTANT SAFETY ALERT

### SGB Threaded Shoring Adaptors

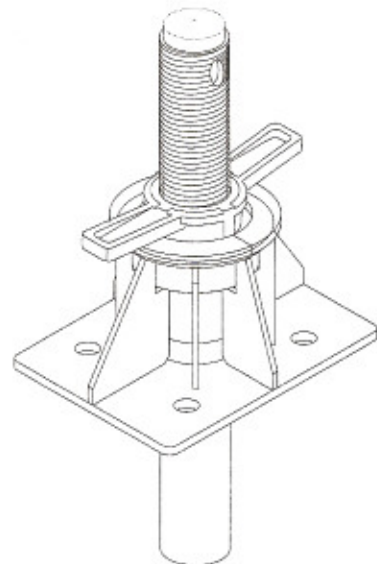
The item in the illustration below is known as a Threaded Shoring Adaptor and is used in conjunction with our MkII Soldier product.

The adaptor is bolted to the end of a soldier as part of a shore designed to take very heavy loads either in compression or tension.

This type of shore is very popular in construction.

In August of 2003, as part of our ongoing safety procedures and quality management, we discovered that a number of adaptors in a batch from our manufacturer had undersized threaded stems - key to the strength of the adaptor. We implemented a rigorous process of recovery in order to retrieve these items. We have now discovered that not all of these items were retrieved.

As a further precaution SGB staff are now visiting all sites in the UK where we have knowledge of SGB adaptors currently in use.



/cont.

However, we do recognise that even an exercise as extensive as this may not pick up all items. This is why we need you to check if you are presently using a threaded shoring adaptor on any of your sites or have any in storage. If you have, please immediately contact:

Andrew MacGadie, SGB UK Services Director

Tel: 01403 220055 Fax: 01403 220083 Mob: 07803 508770 Email: amacgadie@sgb.co.uk

We will arrange for one of our staff to visit and check your equipment.

Please note that it does not matter if you did not hire or purchase the item directly from SGB, we are still willing to attend site and advise appropriately.

I would ask that if you are not the person in your business best placed to action this information then please pass it to the person responsible for these issues.

A handwritten signature in black ink, appearing to read 'S Shine', is located below the main text.

S Shine  
SGB UK Managing Director and CEO